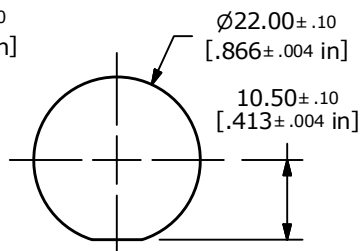
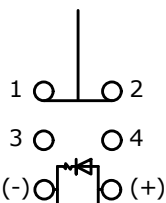
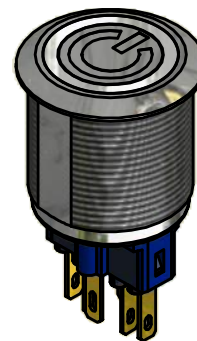
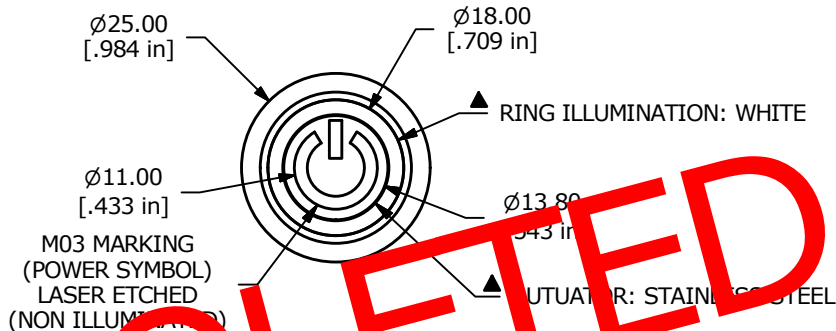


OPTIONAL PANEL CUTOUT
MAX. PANEL THICKNESS 12mm



RECOMMENDED PANEL CUTOUT
MAX. PANEL THICKNESS 12mm



CONTACT CONFIGURATION

SWITCH FUNCTION	
POS. 1	POS. 2
1-2 ON 3-4 OFF	1-2 OFF 3-4 ON

- NOTE:
- ALL DIMENSIONS IN MM [INCH]
 - GENERAL TOLERANCE: X.X = ± 0.4
X.XX = ± 0.25
 - TERMINAL NOS. FOR REF. ONLY
 - FUNCTION: SPDT
 - RATING: 2A @ 48VDC
 - ILLUMINATION VOLTAGE: 2.8V 20mA
 - CONTACT RESISTANCE: 50mΩ MAX. @ 1A 12VDC
 - INSULATION RESISTANCE: 1,000MΩ @ 500VDC
 - DIELECTRIC STRENGTH: 2,000VAC MIN. FOR 1 MINUTE
 - ELECTRICAL LIFE: 50,000 CYCLES
 - OPERATING TEMPERATURE: -20°C TO 55°C
 - INGRESS PROTECTION: IP65
 - ▲ DENOTES CRITICAL PARAMETER
 - 2002/95/EC (ROHS) COMPLIANT
 - ILLUMINATION COLOR: WHITE (FORWARD), WHITE (REVERSE)
 - HARDWARE INCLUDED: HEX NUT AND O-RING (NOT SHOWN)

OBSOLETE
 March 2016
 PCR 22230
 recreated as p/n
 52-PV7F2T0SS301M16



TITLE PV7F2T0SS-301-M03				
SCALE 1:1	DATE 6/10/2015	DR MW	DWG 52-PV7F2T0SS301M03	REV A

A	21868	RELEASE FOR PRODUCTION	6/10/15	MW
REV	PCR NO	DESCRIPTION	DATE	BY

THE INFORMATION CONTAINED IN THIS DOCUMENT IS PROPRIETARY TO E-SWITCH AND IS NOT TO BE COPIED OR TRANSFERRED